

HIGH ROOF LED LIGHT

Naval Surface mounted LED High Roof Light with Clear Polycarbonate Diffuser. Conforms to IP54. Available with 7 x 13 Watt LEDs.

IP 54

Features

Housing & Cover : Aluminium fabricated Body & CRCA Cover with Epoxy Polyester powder coated Siemens Grey surface finish. (can be customised on requirement)

Control gear: Control gear unit consists of open construction Electronic Power Supply and mains connector with Loopin Loopout facility.

Mains Supply Voltage : 110....230 Volt AC Singal Phase

Optics

Clear Polycarbonate Diffuser.

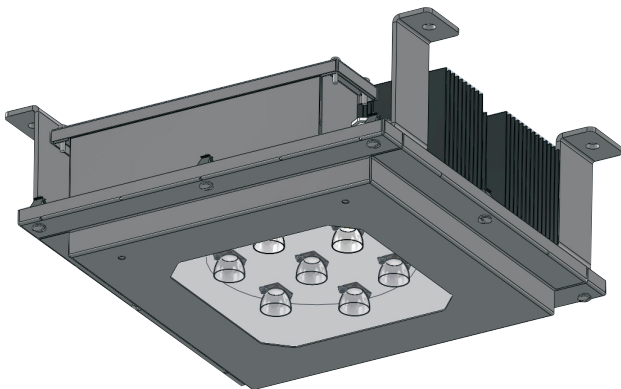
Installation

Surface mounted type.

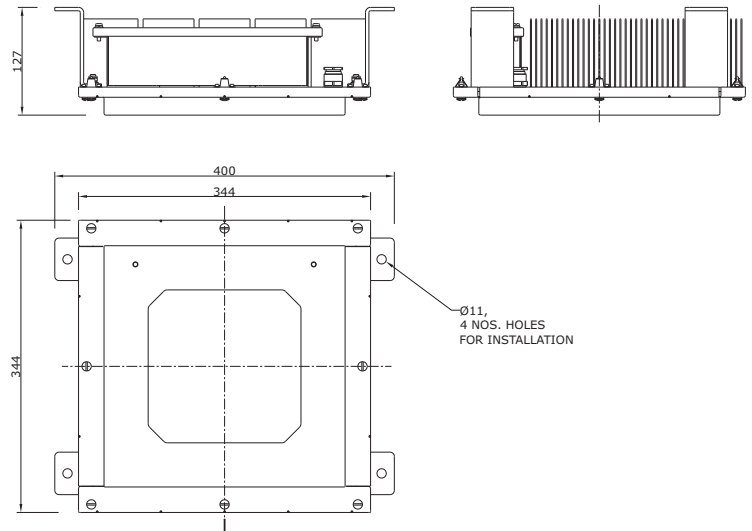
Applications

For High Roof Area, Hanger Illumination

Product Photo



Product Dimensions



How To Order This Product

Catalogue Number	LED Type	Dimensions (mm)			Electrical Paramters		Accessories			
		A	B	C	Input Voltage	Mains Current (Amp)	Power Supply	Capacitor	Starter	Lamp Holder
MME-COM-21	7x13W LED	400	344	127	110..230 V AC	0.750	100W, 0.750A, 24V	NA	NA	NA

