

### FLUSH MOUNTED LED CABIN LIGHT

Naval Flush Mounted Cabine Light with Diamond Structure Polycarbonate Diffuser. Conforms to Ip55. Available with 20 Watt LED Module.

IP 55

#### Features

Housing & Cover : CRCA fabrication body with Zink Yellow Passivation as per DF STAN 03-20 and RAL 9010 epoxy powder coated surface finish.(can be customized on requirement )  
-CRCA Thk : 1mm

#### Optics

Diamond Structure Polycarbonate diffuser.

#### Installation

Flush Mounted

Control gear: Control gear unit consists of constant current Power Supply and mains connector with Loopin Loopout facility.

#### Applications

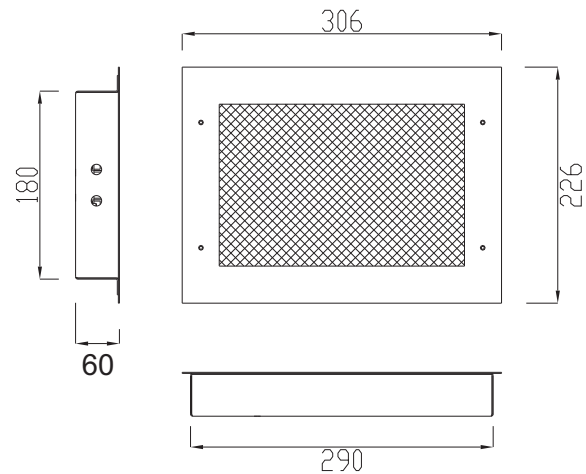
For Cabin Room Illumination.

Mains Supply Voltage : 110...230 Volt AC Single Phase & 24 Volt DC

#### Product Photo



#### Product Dimensions



#### How To Order This Product

Catalogue Number	LED Type	Dimensions (mm)			Electrical Paramters		Accessories			
		A	B	C	Input Voltage	Mains Current (Amp)	Power Supply	Capacitor	Starter	Lamp Holder
MME-COM-31	20W LED	306	226	60	110...230 V AC	0.350	20W, 0.350A, 24V	NA	NA	NA
MME-COM-31-DC	20W LED	306	226	60	24 V DC	0.350	20W, 0.350A, 24V	NA	NA	NA

