

### FLUSH MOUNTED LED 360 Degg. ADJUSTABLE FOCUS LIGHT

Naval Flush Mounted LED Luminaire with Aluminium (Lm6) body. Conforms to IP22 only Lamp compartment. Available in 3 Watt Power LED.

**IP 22**

#### Features

Housing & Cover : Aluminium housing, Cover & Ring with Ral 9010 epoxy powder coated finish.  
(can be customised on requirement)

Control gear: Light source operates on 700 mA constant current source supply. 5 Pin Charger provision provided with Switch

Mains Supply Voltage : 110....230 Volt AC Singal Phase & 24 Volt DC

#### Optics

Optical Lence available in beam angle narrow, medium & large.

#### Installation

Flush mounted.

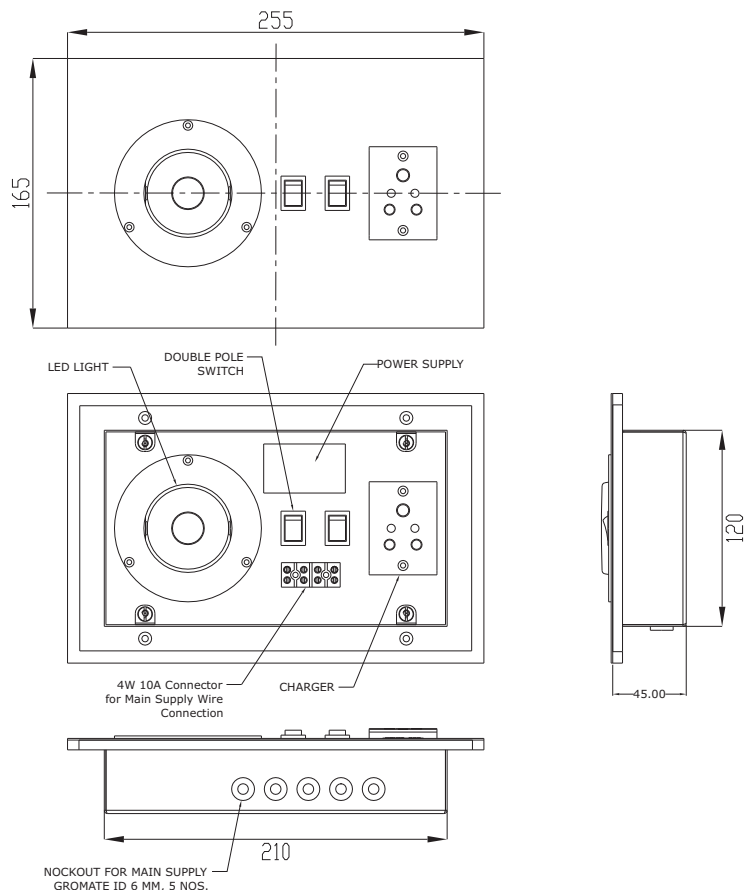
#### Applications

For Bunk Bed.

#### Product Photo



#### Product Dimensions



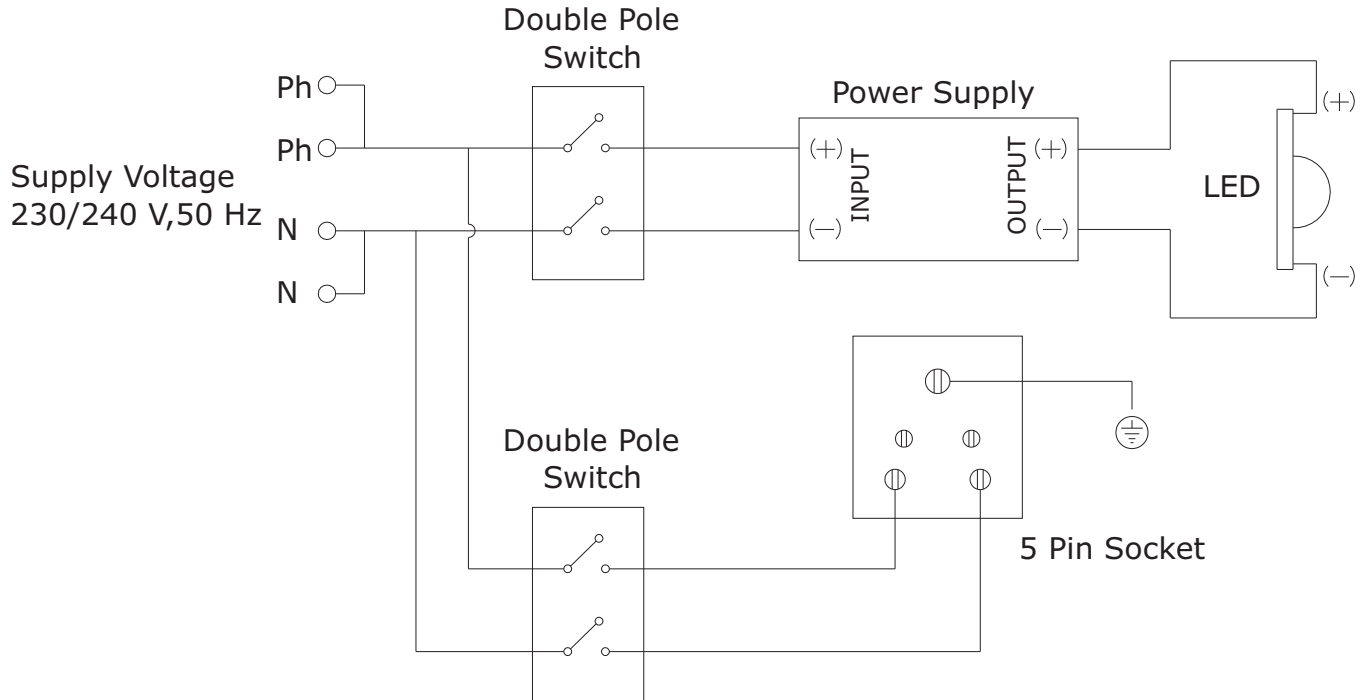
#### How To Order This Product

Catalogue Number	LED Type	Dimensions (mm)			Electrical Parameters	Accessories
		A	B	C		
MME-COM-10-1x3	1x3W Power Led	255	165	45	110...230 V AC	Suitable Power Supply Current Driver 110...230Vac / 700 mA, Min 4 Watt
MME-COM-10-1x3-DC	1x3W Power Led	255	165	45	24 V DC	Current Driver 24Vdc / 700 mA, Min 4 Watt



### FLUSH MOUNTED LED 360 Degg. ADJUSTABLE FOCUS LIGHT

#### WIRING DIAGRAM



#### Part List

Sr. No.	Description	Part No.	Specification	Qty
1	Power Supply	MME0179	230-240V AC / 700 mA	1 No.
2	LED Lamp	MME0180	3 Watt	1 No.
3	5 Pin Socket	MME0178	6A 240V / White 38331	1 No.
4	Double Pole Switch	MME0181	6A 250V / Black	2 Nos.
5	4W 10A Connector	MME0174	-	1 No.

