

WEATHERDECK LIGHT (LED BASE)

Naval Surface mounted Weatherdeck Light with Opal / Prismatic Polycarbonate Diffuser. Conforms to IP67. Available with 2x6 Watt LED lamps.

IP 67

Features

Housing & Cover : Al. die casted body with Epoxy Polyester powder coated Siemens Grey surface finish.(can be customised on requirement)

Control gear: Control gear unit consists of open construction Electronic Power Supply and mains connector with Loopin Loopout facility.

Mains Supply Voltage : 110....230 Volt AC Singal Phase & 24 Volt DC

Optics

Opal / Prismatic Polycarbonate diffuser.

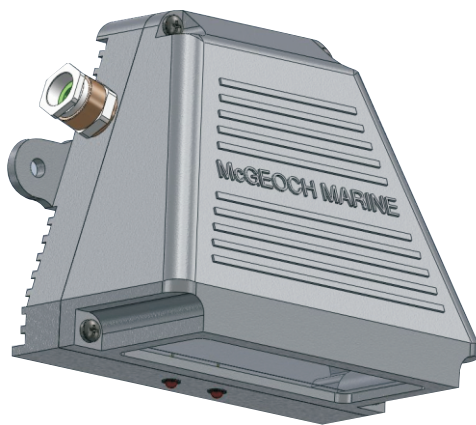
Installation

Surface mounted type.

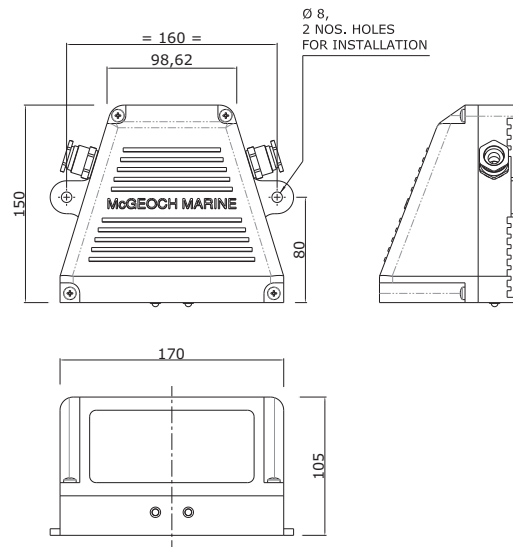
Applications

For Gangway, Passage, Engine Room Illumination

Product Photo



Product Dimensions



How To Order This Product

Catalogue Number	LED Type	Dimensions (mm)			Electrical Parameters		Accessories			
		A	B	C	Input Voltage	Mains Current (Amp)	Power Supply	Capacitor	Starter	Lamp Holder
MME-COM-20	2x6W LED	170	150	105	110..230 V AC	0.750	15W, 0.750A, 24V	NA	NA	NA
MME-COM-20-DC	2x6W LED	170	150	105	24 V DC	0.750	15W, 0.750A, 24V	NA	NA	NA

