

SURFACE MOUNTED TROUGH LIGHT

Naval Surface mounted Trough Light with Diamond Structure Polycarbonate Diffuser. Conforms to IP22/55. Available with 2x18W T8 lamps & also available with Emergency Module.

IP 22/55

Features

Housing & Cover : CRCA fabrication body with Zink Yellow Passivation as per DF STAN 03-20 and RAL 9010 epoxy powder coated surface finish.(can be customised on requirement)
-Quick release Quarter turn Fasteners arrangement for quick maintenance
-CRCA Thk : 1mm

Optics

Structural Polycarbonate diffuser.

Installation

Surface mounted type.

Applications

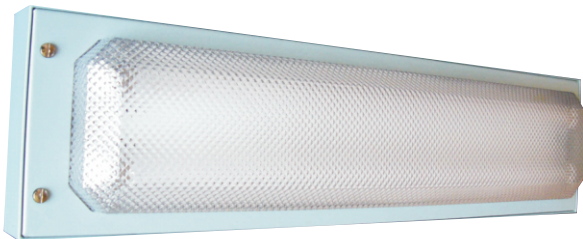
For Gangway, Passage, Engine Room Illumination

Control gear: Control gear unit consists of open construction ballast and mains connector with Loopin Loopout facility.

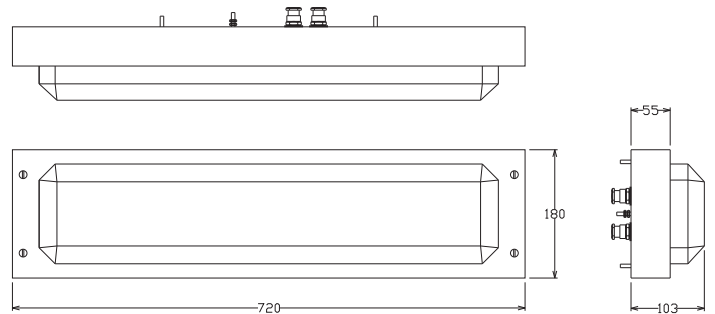
Option : 1) Also available with Battery Backup for Single Lamp with 1 Hr. duration.
2) LED version in RED & BLUE color for environmental Eye warming.

Mains Supply Voltage : 230 Volt AC Singal Phase Or
115 Volt AC Singal Phase

Product Photo

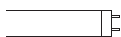


Product Dimensions



How To Order This Product

Catalogue Number	Lamp Type	Dimensions (mm)			Electrical Paramters		Accessories			
		A	B	C	Volt (V _{AC})	Mains Current (Amp)	Ballast	Capacitor	Starter	Lamp Holder
MME-COM-05/2x18W/230	2x18W T8	720	180	103	230	0.46	OPT 18-20	10uF	FSU	G13
MME-COM-05/2x18W/115	2x18W T8	720	180	103	115	0.46	OPT 18-20	10uF	FSU	G13
MME-COM-05/2x18W/230/EM	2x18W T8	720	180	103	230	0.46	OPT 18-20	10uF	FSU	G13
MME-COM-05/2x18W/115/EM	2x18W T8	720	180	103	115	0.46	OPT 18-20	10uF	FSU	G13
MME-COM-05/2x18W/230/RL	2x18W T8	720	180	103	230	0.46	OPT 18-20	10uF	FSU	G13
MME-COM-05/2x18W/115/RL	2x18W T8	720	180	103	230	0.46	OPT 18-20	10uF	FSU	G13
MME-COM-05/2x18W/230/BL	2x18W T8	720	180	103	230	0.46	OPT 18-20	10uF	FSU	G13
MME-COM-05/2x18W/115/BL	2x18W T8	720	180	103	115	0.46	OPT 18-20	10uF	FSU	G13



T8 FTL