

FLUSH MOUNTED CABIN LIGHT

Naval Flush mounted cabin light with Diamond Structure Diffuser. Conforms to IP22. Available with 2x18W TC-L lamps.

IP 22

Features

Housing & Cover : CRCA fabrication body with Zink Yellow Passivation as per DF STAN 03-20 and RAL 9010 epoxy powder coated surface finish.(can be customised on requirement)
-Quick release Quarter turn Fasteners arrangement for quick maintenance
-CRCA Thk : 1mm

Control gear: Control gear unit consists of open construction ballast and mains connector with Loopin Loopout facility.

Mains Supply Voltage : 230 Volt AC Singal Phase

Misc. : 2G11 Polycarbonate lamp holder for CFL

Optics

Diamond Structure Diffuser.

Installation

Flush mounted.

Applications

For Cabin Illumination.

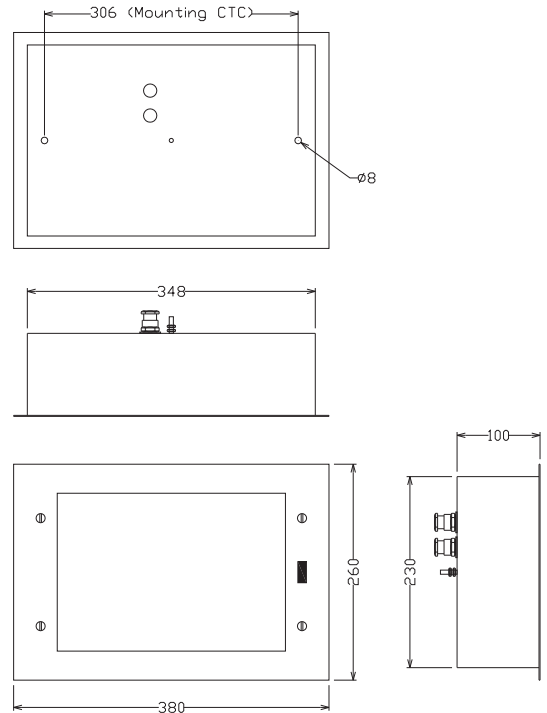
Applications

For Cabin Illumination.

Product Photo

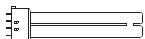


Product Dimensions



How To Order This Product

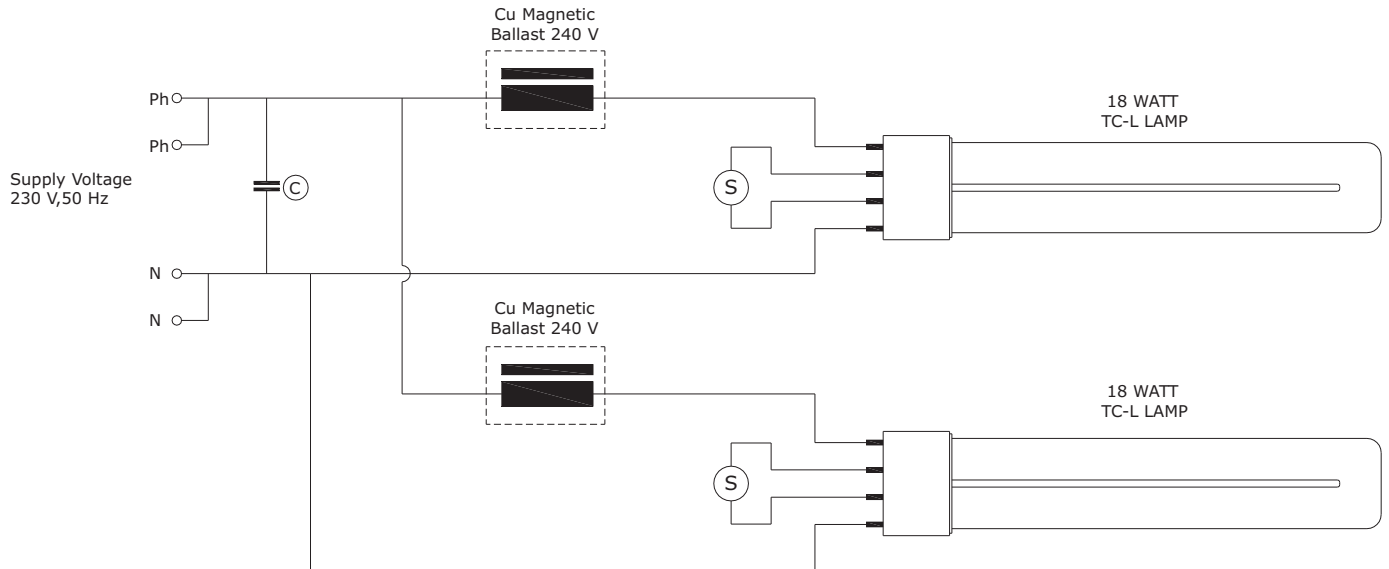
Catalogue Number	Lamp Type	Dimensions (mm)			Electrical Paramters		Accessories			
		A	B	C	Volt (V _{AC})	Mains Current (Amp)	Ballast	Capacitor	Starter	Lamp Holder
MME-COM-09/2x18W/230	2x18W TC-L	380	260	100	230	0.23	OPT 18	10uF	FSU	2G11



TC-L

FLUSH MOUNTED CABIN LIGHT

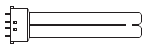
WIRING DIAGRAM



Part List

Sr. No.	Description	Part No.	Specification	Qty
1	Cu Magnetic Ballast 18/20 Watt FTL	MME081	18/20 Watt FTL, 0.37A, 240V AC / 50Hz	2 Nos.
2	Capacitor 10 Mfd	MME0133	10 Mfd +/-5%, 250V AC / 50-60Hz, -25/+85 Degg.C	1 No.
3	Starter FSU	MME0120	20/40/65 Watt, 220-240V	2 Nos.
4	Holder 18/36 Watt TC-L	MME1529	-	2 Nos.
5	PCB Connector Assembly	LTG/SA/DM37549	-	1 No.
6	Diamond Structure Diffuser	MME0171	Acrylic	1 No.
7	Bi-Fix Fastener & Clip Assembly	FX0337	Brass	4 Nos. Set
8	Cable Gland	MME047	Brass	2 Nos.

Approximate Lux upto 1 Mtr. Distance : Lux



TC-L