

SURFACE MOUNTED BUNK BED LIGHT

Naval Surface Mounted Bunk Bed Light with Diamond Structure Polycarbonate Diffuser. Conforms to IP22. Available upto 1x11Watt Retrofit Es27 base Lamp.

IP 22

Features

Housing & Cover : CRCA fabrication body with Zink Yellow Passivation as per DF STAN 03-20 and RAL 9010 epoxy powder coated surface finish.(can be customized on requirement)
-CRCA Thk : 1mm

Control gear: Control gear unit consists of Special design ES27 Base Porcelain material Lamp Holders for Lamp fitment and Mains Connector with Loopin Loopout facility.

Mains Supply Voltage :220..240 Volt AC Singal Phase
50 Hz

Optics

Diamond Structure Polycarbonate diffuser.

Installation

Flush Mounted / Surface Mounted

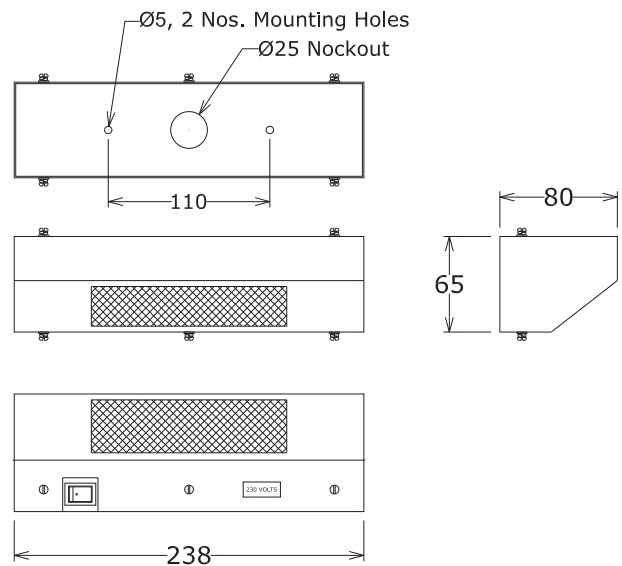
Applications

For Bunk Bed Illumination.

Product Photo

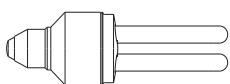


Product Dimensions



How To Order This Product

Catalogue Number	Lamp Type	Dimensions (mm)			Electrical Paramters		Accessories			
		A	B	C	Volt (V _{AC})	Mains Current (Amp)	Ballast	Capacitor	Starter	Lamp Holder
MME-COM-01/ES	Upto 1x11 Watt Rerofit Es27 Base	238	292	76	220..240V 50 Hz	0.08	NA	NA	NA	Es27



RETRO FIT ES27 BASE LAMP